

ILLUSTRATED PARTS MANUAL
for
TALKING VIEW-MASTER PROJECTOR



GAF Corporation | Portland
Consumer Photo Division | Oregon



HOW TO USE THE ILLUSTRATED PARTS MANUAL

USING THE PARTS LIST

This parts manual includes all variable and common parts. Indented numbers in the parts list heading are used to indicate assemblies and component parts of assemblies. Number 1 is the major assembly. Part descriptions which are indicated under 2, 3 and 4 are components of the major assembly shown above.

If the part description has a symbol (a)* be sure to read the footnote which will have important information affecting the specific part.

PRICE LIST

The service parts price list is a separate book which contains prices of service parts for all parts Manuals. This price list is in numerical order by part number. The correct list price can be obtained by first finding the part number in any of the parts manuals and then locating the same number in the price list.

SUPPLEMENTS AND REVISIONS

Supplementary pages may be added to this manual at later dates and must be filed in the proper location by page number, revision number and date. Changes on these pages will be noted by use of "R" and the revision number (EXAMPLE: R3).

CODE NUMBER IDENTIFICATION

A 3/8" diameter white sticker in all projectors identifies each projector by a code number representing the week of manufacture (refer to Manufacturing Calendar.) The code number may also be used to determine warranty periods. Sticker locations:

- (1) 2 x 2 projectors – inside projector under the access cover.
- (2) 8MM projectors – on film path assembly under movement housing.
- (3) 447 series 2 x 2 projectors – inside cord storage compartment at the top.

ORDERING PARTS

To order repair parts use the item numbers on the exploded views to locate the part in the parts list. Always order by part number and name, and order carefully in order to get the correct part for the model you are working on, assuring a match of color, parts and trim. (Please include projector code number for unit identification when ordering parts.) Order replacement parts from Consumer Photo Division, GAF Corporation, P.O. Box 490. Portland, Oregon 97207. All parts shipped f.o.b. Portland, Oregon.

INDEX

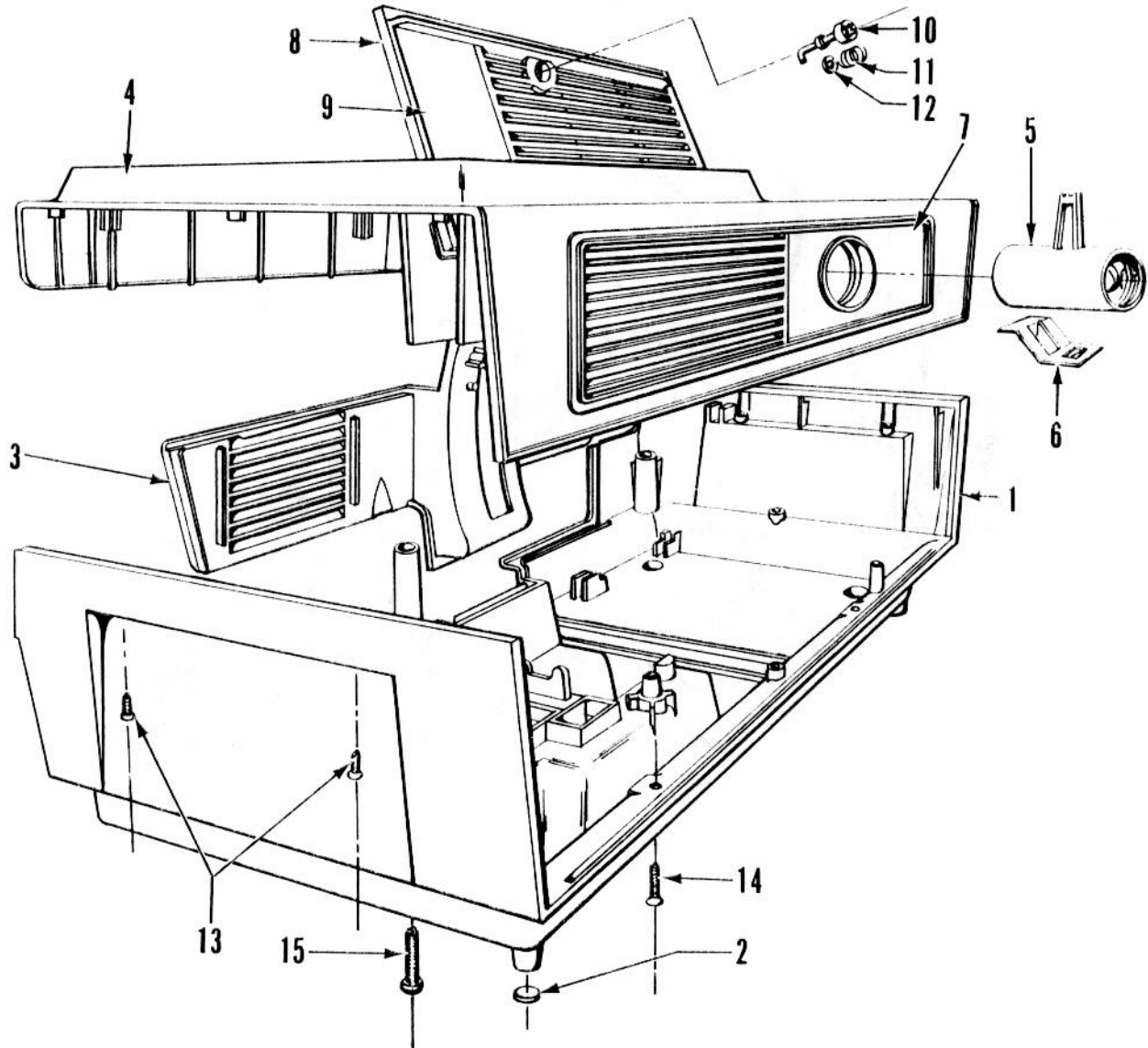
HOUSING ASSEMBLY 1

MECHANISM PLATE ASSEMBLY..... 2

MOTOR AND BLOWER SYSTEM..... 3

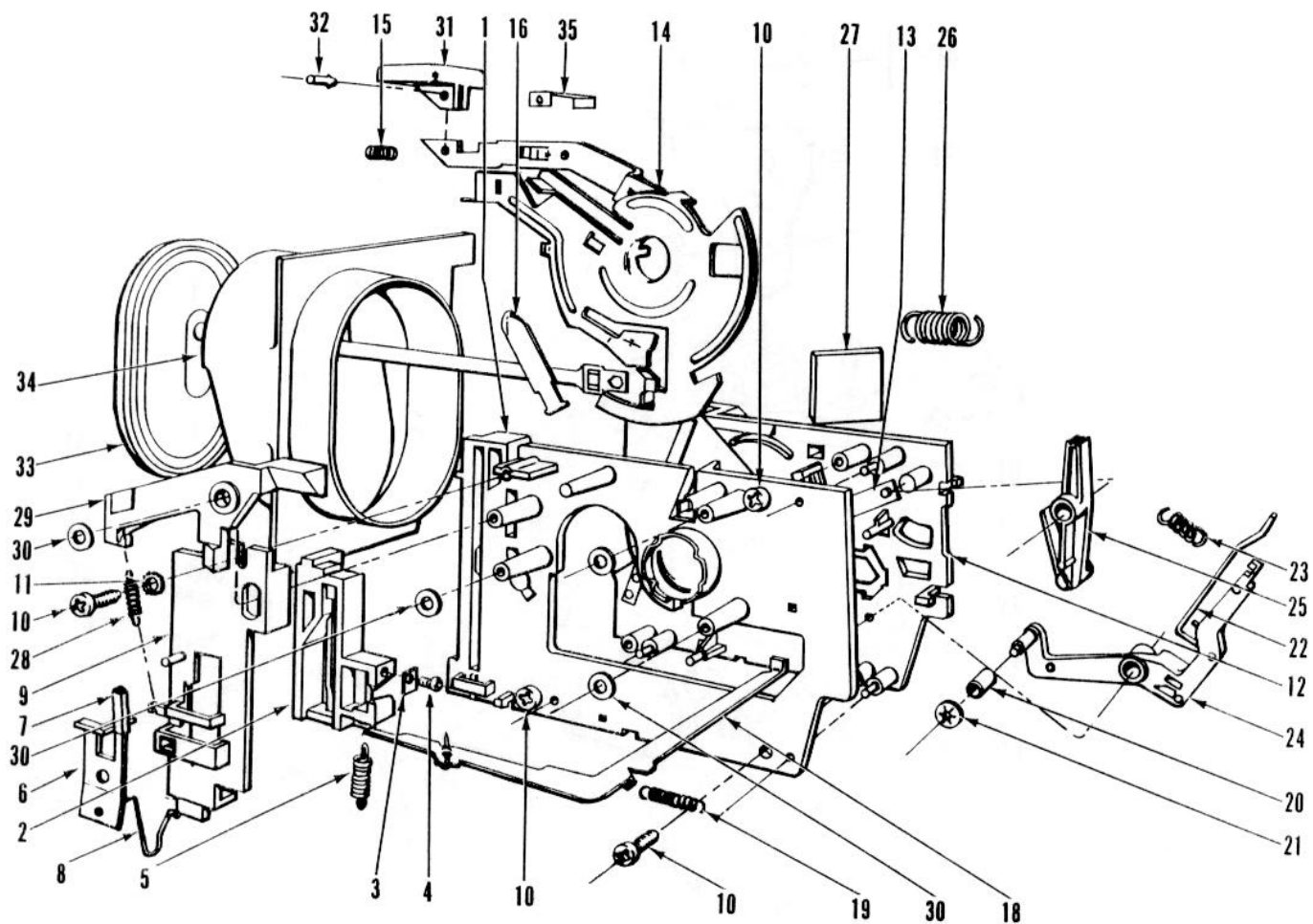


HOUSING ASSEMBLY



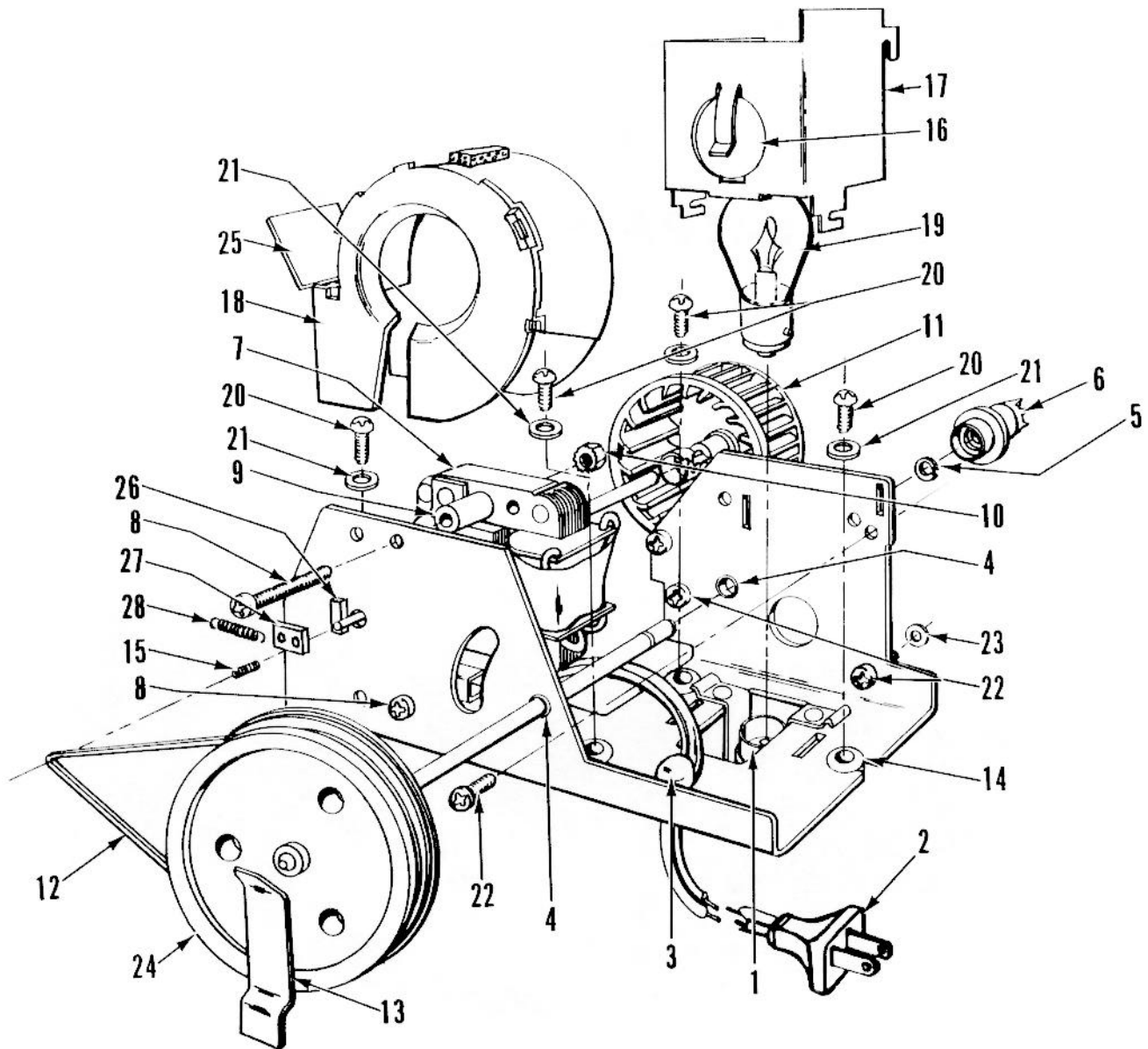
Item	Part No.	Description	Item	Part No.	Description
		1 2 3 4			1 2 3 4
1	461-502	Base Assembly	7	461-818	Nameplate Front
2	581-308	Foot Rubber	8	099-022	Door Assembly
3	461-513	Louver Assy - Rear	9	461-817	Nameplate - Top
	501-251	Screw 4-24 x 5/16	10	461-816	Fastener - Door
	520-003	Washer - Flat	11	461-612	Spring
	461-426	Separator - Shift	12	590-108	Washer
4	099-023	Cover Assembly	13	601-242	Screw - 4-24x9/16
5	461-518	Lens Assembly	14	501-279	Screw - 6-20x5/8
6	461-112	Spring -Lens	15	501-278	Screw - 8-18x1-1/4 (bolt head)

MECHANISM PLATE ASSEMBLY



Item	Part No.	Description	Item	Part No.	Description
		1 2 3 4			1 2 3 4
1	461-507	Plate Assy. – Complete	18	461-512	Arm Assy.-Tone
2	461-508	Plate Assy. - Condenser	19	461-601	Spring-Tone Arm
3	461-408	Rack=Advance	20	461-202	Roller-Replay
4	445-124	Stop-Motor Frame	21	590-109	Pushnut
5	501-219	Screw-2-32x3/16	22	461-611	Wire-Reset
6	445-603	Spring-Extension	23	445-603	Spring-Extension
7	461-105	Pawl-Slide	24	461-410	Lever-Replay
8	461-701	Sleeve-Pawl	25	461-411	Knob-Replay
9	461-607	Spring-Pawl	26	461-619	Spring-Lever Plate
10	461-409	Housing-Rack	27	461-807	Mirror
11	501-255	Screw-6-20x7/16	28	461-603	Spring-Clutch Arm, Ext.
12	521-017	Lockwasher-No. 6 Ext.	29	461-419	Arm-Clutch
13	461-509	Plate Assy. Mirror	30	620-102	Washer-Steel
14	461-110	Spring-Upper Reel Lock	31	461-412	Knob-Advance
15	461-511	Plate Assy. -Lever	32	591-014	Groove Pin
16	445-602	Spring-Compression	33	461-614	Speaker Assy.
17	166-111	Spring-Reel Lock	34	461-416	Plate-Speaker
	461-109	Pivot-Tone Arm	35	461-115	Clip

MOTOR AND BLOWER SYSTEM



Item	Part No.	Description				Item	Part No.	Description			
		1	2	3	4			1	2	3	4
	461-503	Drive Assembly				15	461-614	Spring-Motor			
1	461-803	Lampholder Assy.				16	461-107	Reflector			
2	461-806	Cord-Line				17	461-113	Chimney			
3	581-104	Bushing-Strain Relief				18	099-021	Scroll-Blower (Complete)			
4	461-808	Bearing				19	575-055	Lamp-BMG			
5	590-005	E-Ring				20	501-272	Screw-8-18x1/2			
6	461-428	Clutch-Drive				21	620-061	Washer-Steel			
7	461-824	Motor-Drive				22	501-255	Screw-2-20x7/16			
8	500-187	Screw-6-32x1-3/8				23	520-102	Washer-Steel			
9	461-203	Spacer-Motor				24	461-505	Pulley and Shaft			
10	530-002	Nut-6-32 KEPS				25	461-117	Baffle-Blower			
11	461-802	Wheel-Blower				26	461-825	Dampener-Vibration			
12	461-820	Belt-Drive				27	461-025	Arm			
13	461-111	Spring-Shaft				28	347-601	Spring			
4	581-208	Grommet									