

Aug. 13, 1963

J. O. KUHN

3,100,420

TOY SLIDE PROJECTOR

Filed April 3, 1961

2 Sheets-Sheet 1

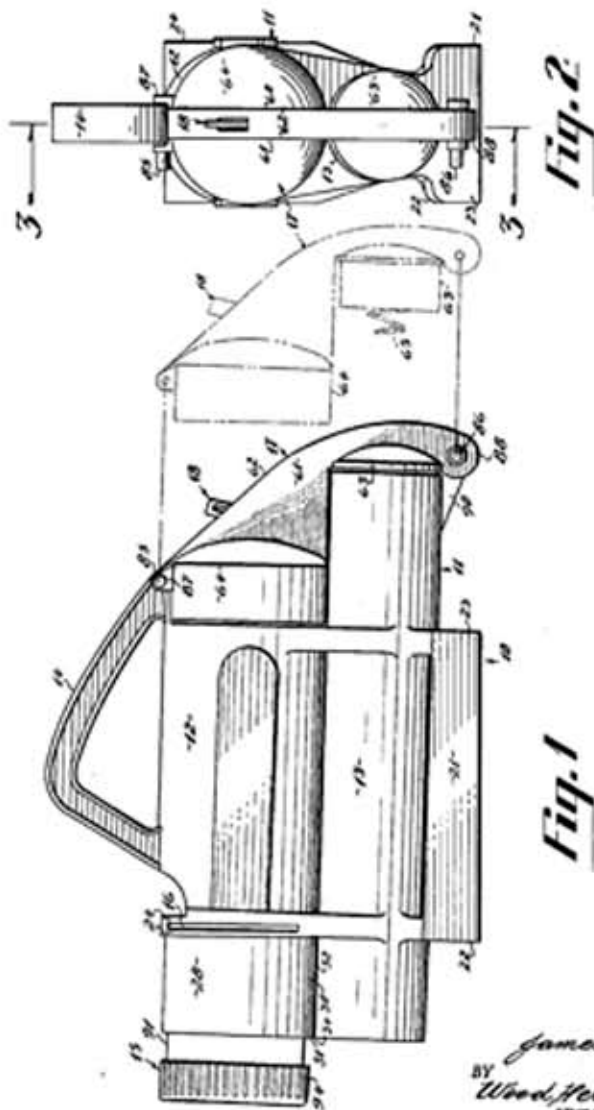


Fig. 2

Fig. 1

INVENTOR
James O. Kuhn
 BY *Wood, Herron & Evans*
 ATTORNEYS

Aug. 13, 1963

J. O. KUHN

3,100,420

TOY SLIDE PROJECTOR

Filed April 3, 1961

2 Sheets-Sheet 2

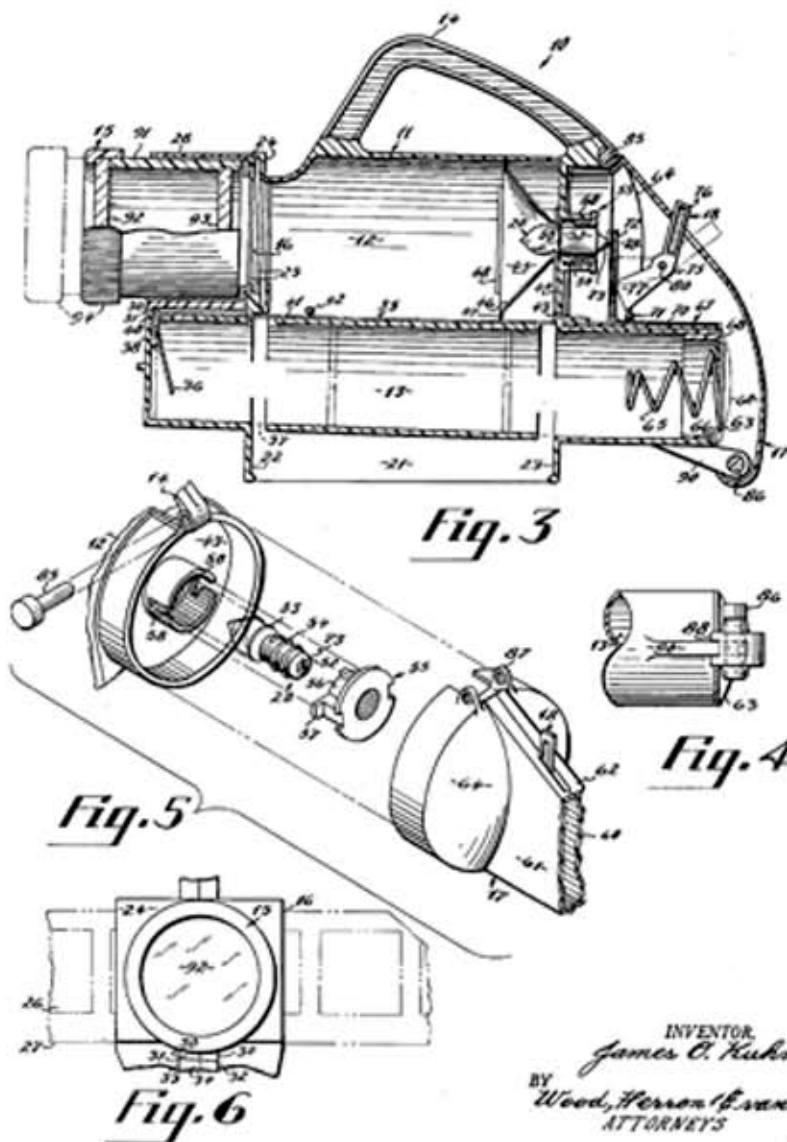


Fig. 3

Fig. 4

Fig. 5

Fig. 6

INVENTOR
James O. Kuhn
 BY *Wood, Herron & Evans*
 ATTORNEYS