

BATTERY OPERATED

8^m/_m TOY MOVIE PROJECTOR

HORIPET "Deluxe"

NEW



**WITH
SPEED
CONTROL
SWITCH**

**SAFE! EASY! EDUCATIONAL!
FOR ALL YOUNGSTERS**

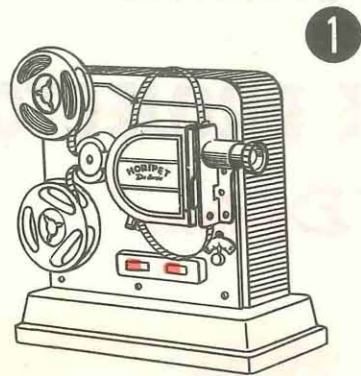
OPERATING INSTRUCTIONS

TRADE **SH** MARK

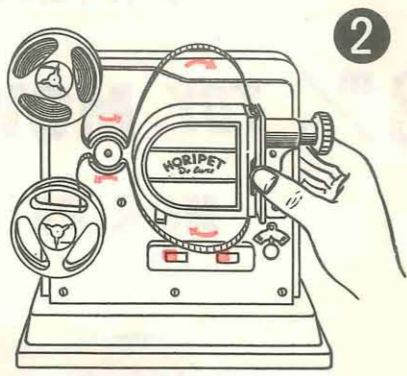
PRINTED IN JAPAN

PATENT.

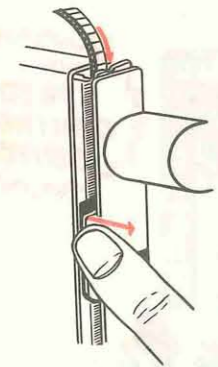
OPERATING INSTRUCTIONS



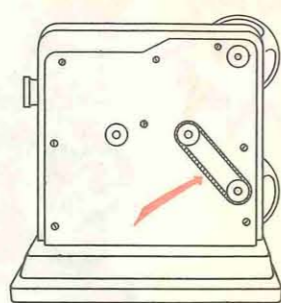
1



2



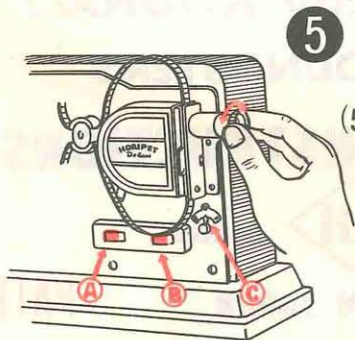
3



4

(1) (2) (3) (4)

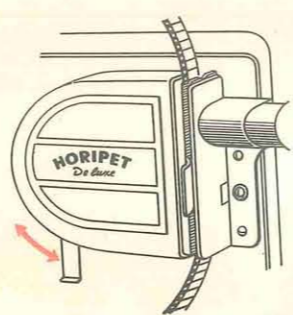
SET FILM AND SPRING AS ABOVE



5

(5) FOCUSING ADJUSTMENT

- (A) motor switch
- (B) light switch
- (C) speed control switch



6

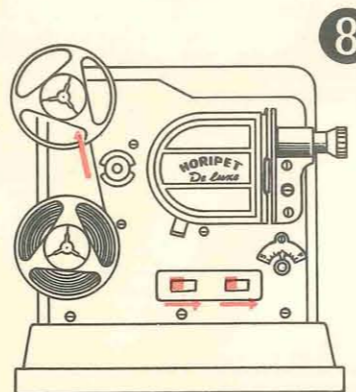
(6) HORIZONTAL ADJUSTMENT



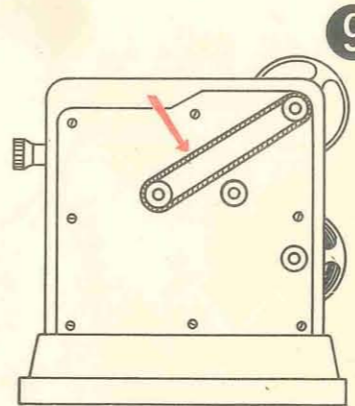
7

(7) SPEED CONTROL SWITCH

- ① be sure and start with "fast" speed
- ② to rewind film, be sure to set speed control switch at "fast" position.

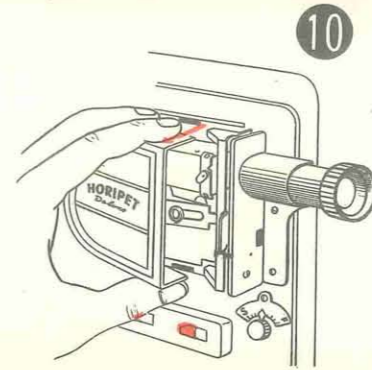


8

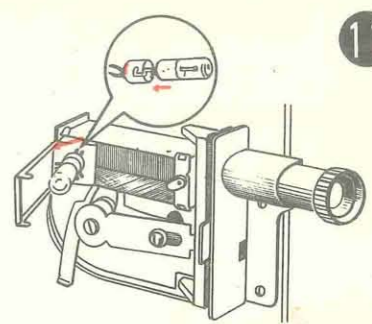


9

(8) (9) TO REWIND FILM CHANGE SETTING OF FILM AND SPRING

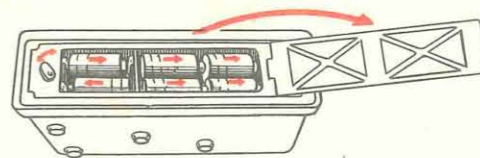


10



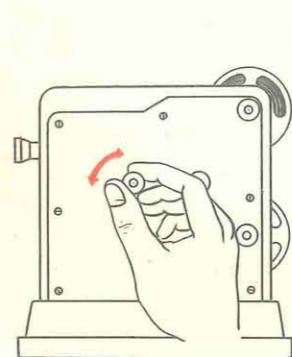
11

(10) (11) HOW TO REPLACE BULB



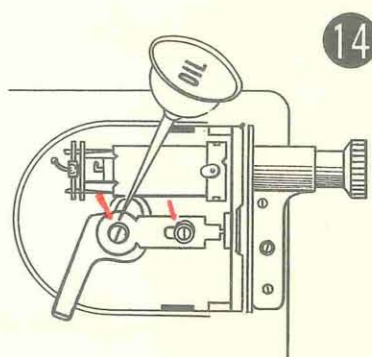
12

(12) PUT 6 "D" CELL BATTERIES AS INDICATED



13

(13) HOW TO CHANGE FRAME ONE BY ONE



14

(14) LUBRICATE ONCE A YEAR



S

F

SPECIAL INSTRUCTIONS

- ① BE SURE AND START WITH "FAST" SPEED.
- ② TO REWIND FILM, BE SURE TO SET SPEED CONTROL SWITCH AT "FAST" POSITION.