

BLOCK CAPITALS

NAME _____

ADDRESS _____

ORDER N^o 29613

IF UNDELIVERED RETURN TO CASSIDY BROS LTD BLACKPOOL FY4 4QW

NAME _____

ADDRESS _____

ORDER

N^o 29613

TOTAL £

TO CASSIDY BROS LTD
MITCHAM ROAD MARTON BLACKPOOL FY4 4QW

PARTS REQUIRED

PART No.	QUANTITY	DESCRIPTION	PRICE

POSTAGE & PACKING

TOTAL £

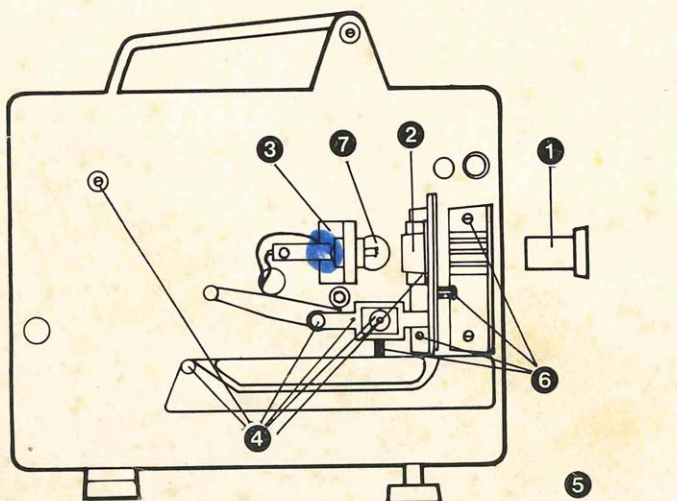
Junior 8 Projector

PARTS LIST

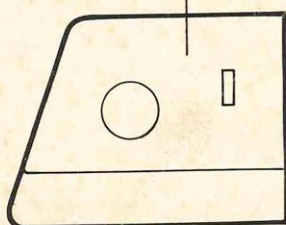
METHOD OF ORDERING

First fill in your name and address in block capitals in each of the two spaces provided. Then write clearly in block capitals the number and name of the replacement part you wish to order. Enclose a postal order or cheque, made payable to Cassidy Brothers Limited, and add 10p to cover postage and packing; if the value of the total order is more than 30p please add 20p to cover postage and packing.

The spare parts on this list can only be obtained at the stated prices direct from the factory.



- ① OBJECTIVE LENS & HOUSING.....50p
- ② CONDENSER LENS & HOUSING.....30p
- ③ BULB HOLDER.....15p each
- ④ NYLON PARTS.....30p each
- ⑤ LAMP HOUSING COVER.....30p each
- ⑥ SET OF SCREWS & SPRINGS.....15p per set
- ⑦ PACK OF 4 H.E. SPECIAL 6W 12V BULBS.....50p per pack inc PT



- ⑧ PROJECTOR FEET.....25p per set
- ⑨ MOTOR ASSEMBLY COMPLETE.....60p
- ⑩ SET OF DRIVING BANDS.....10p per set
- ⑪ SCREEN.....60p inc PT
- ⑫ 60 METRE FILM REEL.....35p each inc PT

